



# SL01-Z350VPN

Palm Recognition Smart Lock with Video Intercom



Palm Recognition



Facial Recognition



Fingerprint



Random Passcode



Video Intercom



Auto Opening and Closing



Remote Unlock



Built-in Doorbell



Compatible With  
NGTECO Home App

## Introduction

The SL01-Z350VPN is a fully automatic palm print recognition lock offering a comprehensive range of advanced features. In addition to face recognition, the product includes a built-in doorbell and a push-pull handle design, creating a high-end ambience and making it an excellent choice for residential gate locks. It is compatible with Wi-Fi technology, which is managed through the NGTECO home app. This feature enables users to remotely control the key to open the door when a visitor requests access, and also allows two-way intercom calls through the visual intercom function, thereby enhancing the user experience and convenience. The indoor 4-inch IPS HD display screen allows users to monitor the outdoor area.

In general, it offers multiple opening methods and a comprehensive range of features, which contribute to high levels of user satisfaction.

## Features



### Palm Recognition

Use your palm to let only authorized people in



### Facial Recognition

The 3D lock scans and analyses your face to identify you



### Video Visual Two-Way Voice Intercom

video intercom allows for visual communication with visitors before granting access



### Wi-Fi Technology

Unlock and manage the lock from anywhere, anytime



### Auto Lock

Once the door is closed, the lock will lock automatically



### Tamper Alarm

The lock will sound an alarm if someone tries to force the lock from the door



### Low Battery Alert

Visual alerts will tell you the battery status



### Temporary Password Sharing

Sharing access with temporary passwords for visitors



### Built-in Doorbell

Built-in electronic doorbell, no need to deploy a physical doorbell



### USB Type-C Interface

Equipped with a commonly used Type-C emergency power interface

## Specifications

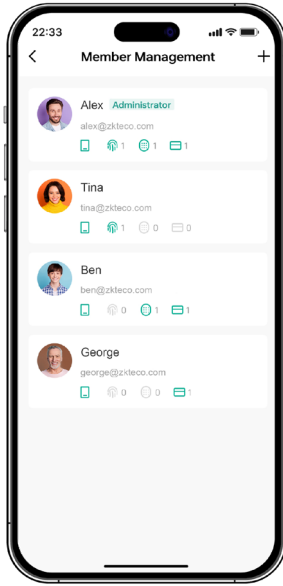
Material	Housing Material	Aluminium Alloy
	Color Options	Black
Mortise Lock	Type	Chinese Standard 6068 mortise
	Backset	60mm
Technical	Unlocking Methods	Palm, Face, Fingerprint, Card, Passcode, NGTeco Home App, Mechanical Key
	Capacity	Palm:50, Face:50 Fingerprint: 100, Passcode: 100, Card: 100
	Fingerprint Sensor	Capacitive
	Card Reader	IC Card @13.56 MHz
	Wireless Communication	IEEE 802.11b/g/n (2.4GHz Wi-Fi)
	Emergency Power	USB Type-C Interface, DC 5V
	Power Supply	Rechargeable Lithium Battery
	Supported App	NGTeco home
Door Compatibility	Door Type	Wooden Door
	Door Thickness	45 to 60mm
	Opening Direction	All Direction
General	Product Dimensions (H×W×T)	Front:414*67*60mm Back:420*73*66mm
	Operating Temperature	-20°C to 55°C (-4°F to 131°F)
	Operating Humidity	20% to 90% RH (Non-condensing)
	Certifications	CE
Package Contents	Exterior Assembly, Interior Assembly, Mortise Kit, IC Card * 2, Mechanical Key * 2, Studs & Screws Kit, Installation Template, Installation Guide, User Manual	

# Mobile Application

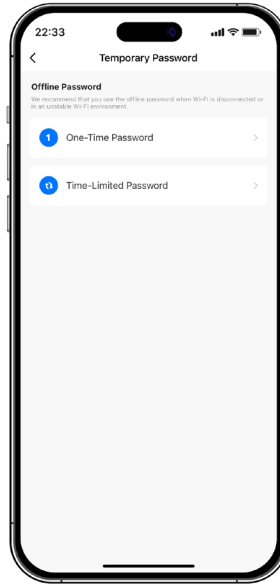
Video Intercom



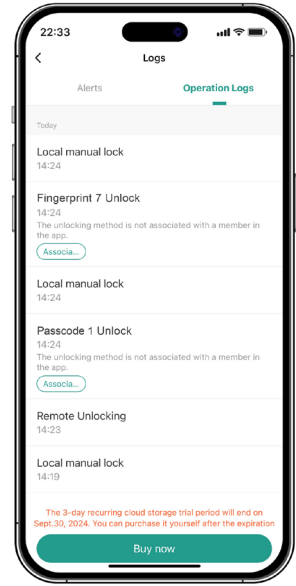
User Management



Temporary Passcode



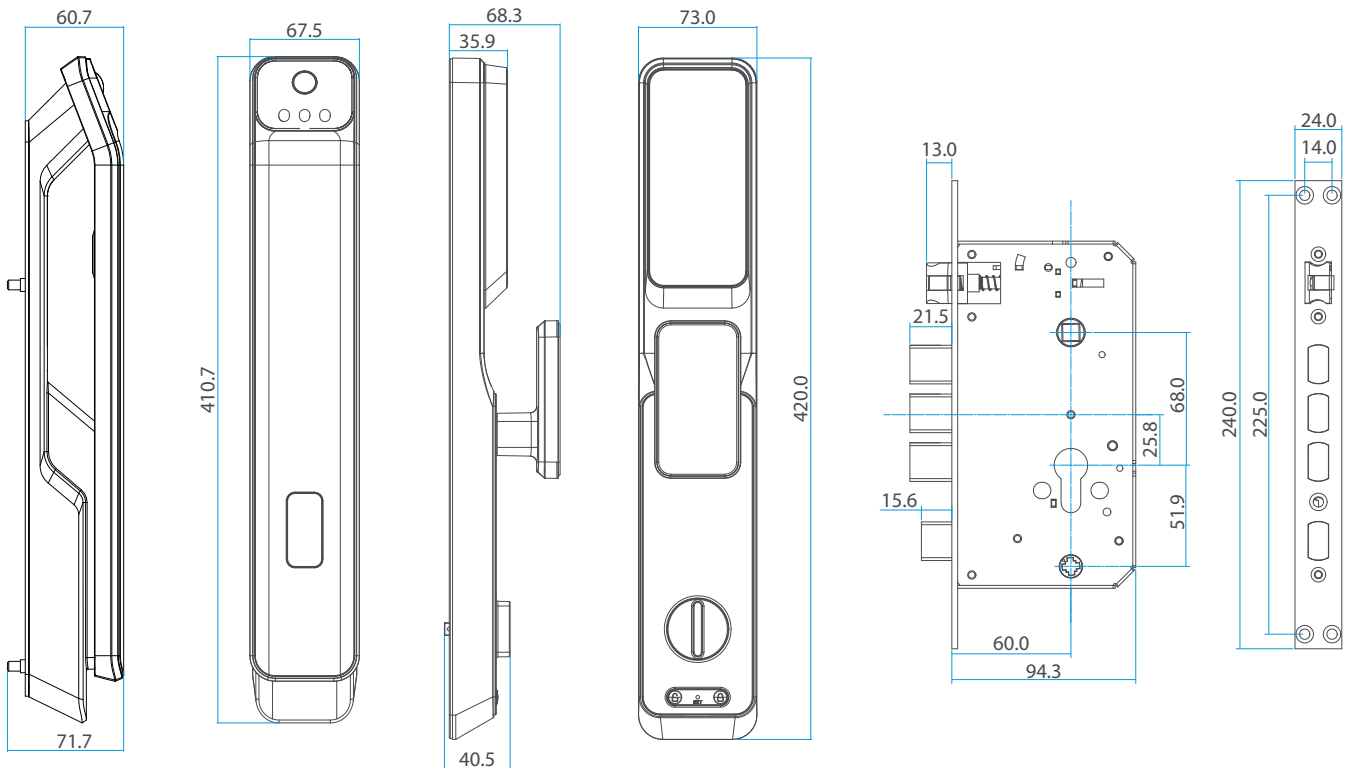
Logs Checking



Compatible With  
**NGTECO Home App**



## Dimensions(mm)



**NGTECO CO., LIMITED**

www.ngteco.com

service.ng@ngteco.com



Copyright © 2024 NGTECO CO., LOIMITED. All rights reserved.

V1.0 09/24/2024